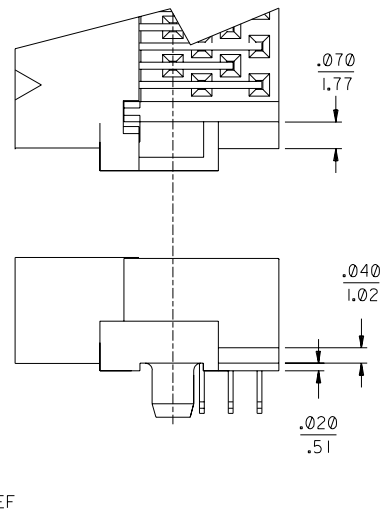
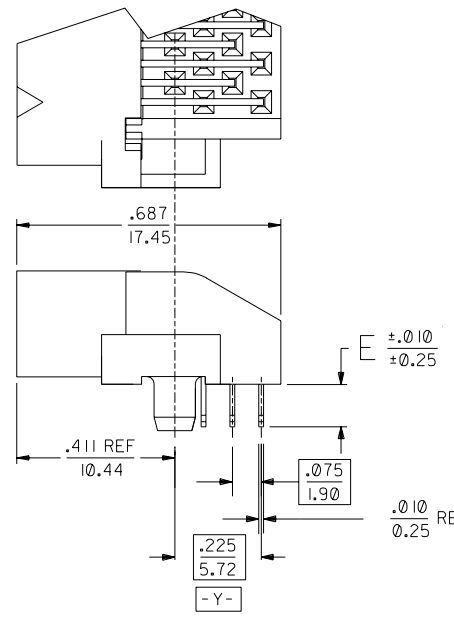
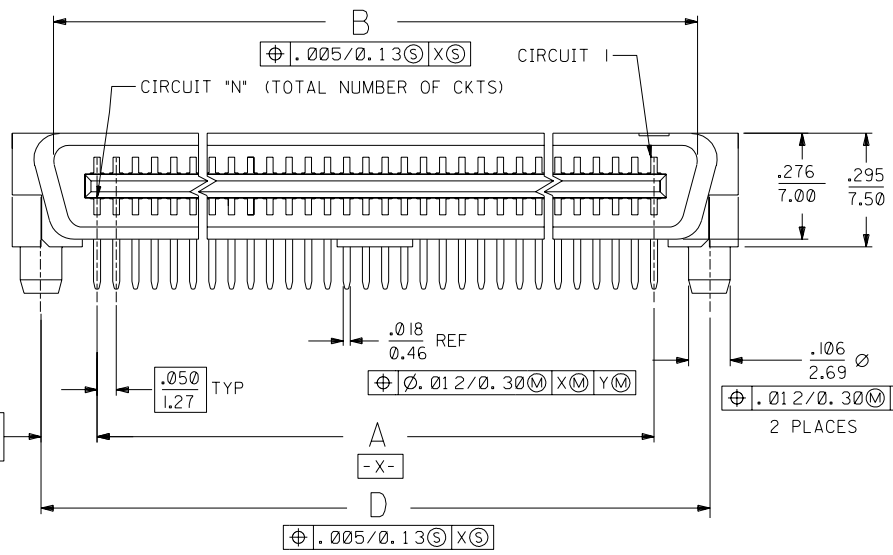


NOTES:

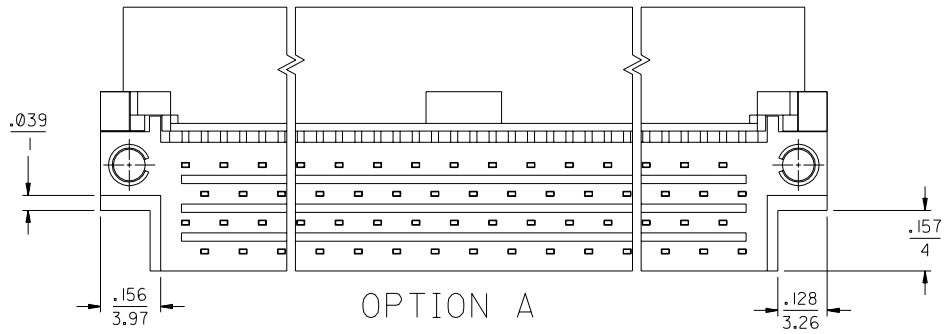
- 1) MATERIALS:
HOUSING: HIGH TEMPERATURE NYLON, GLASS FILLED, UL 94 V-0.
COLOR: BLACK
TERMINALS: BRASS.
 - 2) FINISH:
TERMINAL: SELECTIVE GOLD (Au) IN THE CONTACT AREA;
THICKNESS= .76 MICROMETER (30 MICROINCH) MINIMUM;
SELECTIVE TIN (Sn) ALLOY IN THE PC TAIL AREA;
THICKNESS= 1.27 MICROMETER (50 MICROINCH) MINIMUM;
NICKEL (Ni) UNDERPLATE OVERALL.
 - 3) ASSEMBLY MATES WITH MOLEX P/N SDA-71660-****
 - 4) CONFORMS TO PRODUCT SPEC: PS-71660.
- RECOMMENDED P.C. BOARD THICKNESS IS .062 (1.6).
 FOUR DIGIT DATE CODE (WK. YR.) EXAMPLE 26 96 LOCATED IN AREA SHOWN.
 TOOLING STATUS: "X" INDICATES NO TOOLING AVAILABLE. CONTACT FACTORY FOR FURTHER INFORMATION.



END DETAIL
OPTION A
(BOTH ENDS)

END DETAIL
OPTION B
(BOTH ENDS)

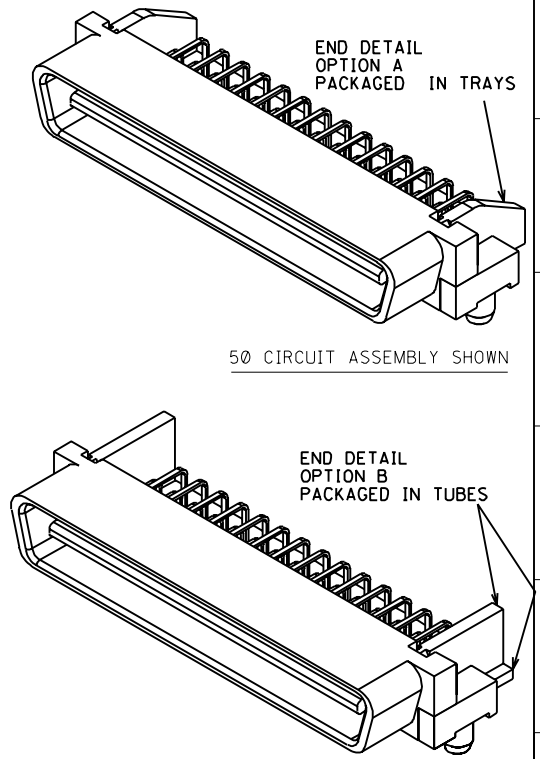
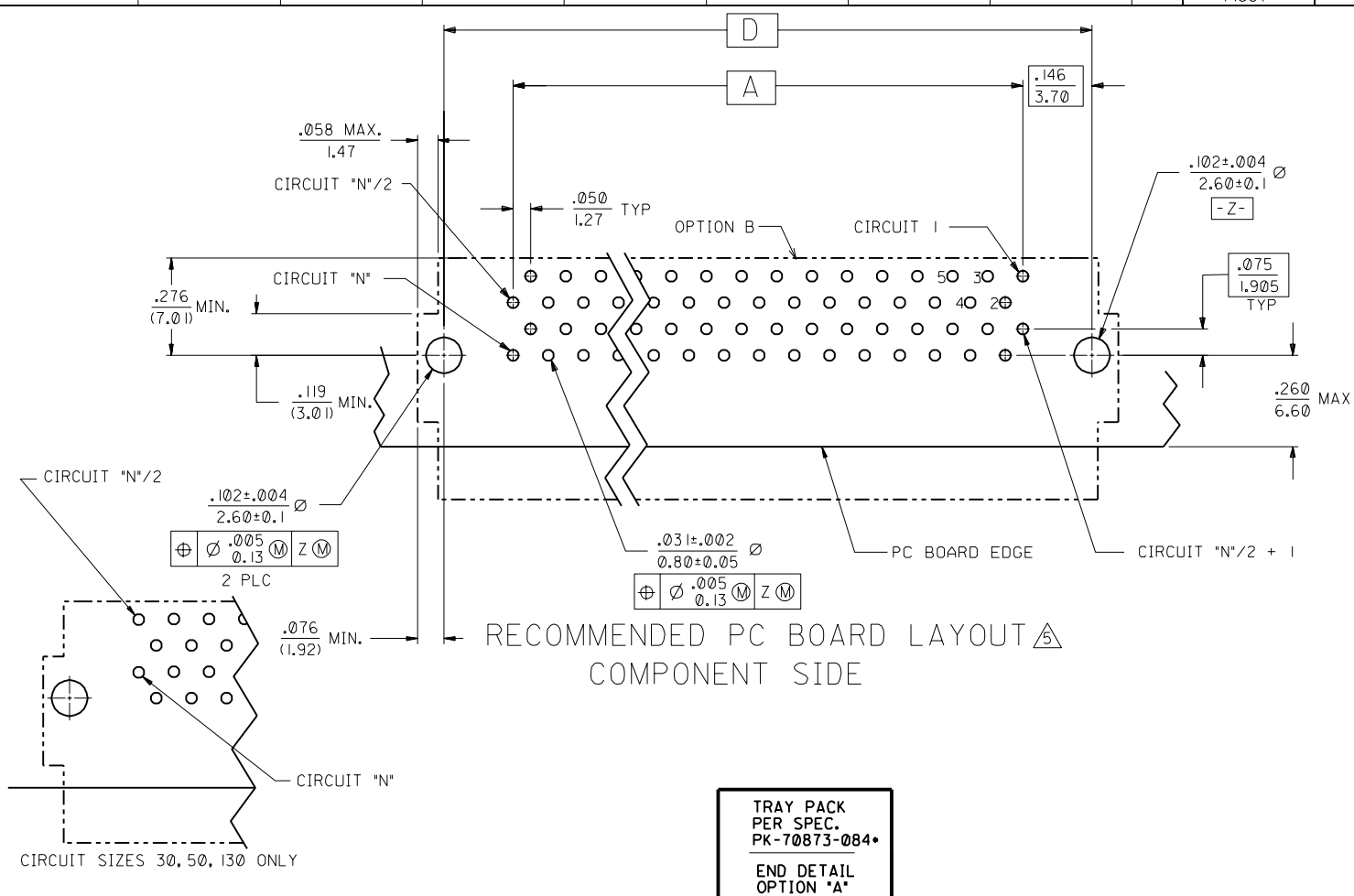
NOTE FOR LEAD FREE CONVERSION:
THE PRIMARY SHIPPING CARTON WILL BE LABELED "COMPLIANT TO RoHS DIRECTIVE 2002/95/EC AND ELV ANNEX II OF DIRECTIVE 2000/53/EC". CARTONS WITHOUT THIS LABEL MAY CONTAIN PRODUCT WITH LEAD.



OPTION A

DIMENSIONS SHOWN (METRIC) INCH UNLESS OTHERWISE SPECIFIED TOLERANCES: ANGULAR $\pm 1/2^\circ$		REVISIONS LTR. REVISIONS LTR. REVISIONS	
3 PLACE	$\pm .010$	---	---
2 PLACE	\pm	---	± 0.25
1 PLACE	---	\pm	---
DRAFT WHERE APPLICABLE MUST REMAIN WITHIN DIMENSIONS			
DRWG. BY	RAN	CHK'D. BY	RAN
APP'D. BY	CAB	SCALE	4: 1
PART NO. SDA-71661-2-*** SEE TABLE		SHEET NO. 1 OF 2 DATE 2/23/93	
THIS DRAWING CONTAINS INFORMATION THAT IS PROPRIETARY TO MOLEX INC. AND SHOULD NOT BE USED WITHOUT WRITTEN PERMISSION.			

2	L
1	M
MFG. SH. REV.	



TRAY PACK
PER SPEC.
PK-70873-084•
END DETAIL
OPTION *A*

	D	C	B	A	CKT (*N*)	ITEM NUMBER
.125 (3.18)	3.491 (88.68)	3.642 (92.50)	3.426 (87.02)	3.200 (81.28)	130	71661-2430
	3.241 (82.33)	3.392 (86.15)	3.176 (80.67)	2.950 (74.93)	120	71661-2420
	2.741 (69.63)	2.892 (73.45)	2.676 (67.97)	2.450 (62.23)	100	71661-2400
	2.241 (56.93)	2.392 (60.75)	2.176 (55.27)	1.950 (49.53)	80	71661-2380
	1.941 (49.31)	2.092 (53.13)	1.875 (47.65)	1.650 (41.91)	68	71661-2368
	1.741 (44.23)	1.892 (48.05)	1.676 (42.57)	1.450 (36.83)	60	71661-2360
	1.491 (37.88)	1.642 (41.70)	1.426 (36.22)	1.200 (30.48)	50	71661-2350
	1.241 (31.53)	1.392 (35.35)	1.176 (29.87)	.950 (24.13)	40	71661-2340
.110 (2.79)	.991 (25.18)	1.142 (29.00)	.925 (23.52)	.700 (17.78)	30	71661-2330
	3.491 (88.68)	3.642 (92.50)	3.426 (87.02)	3.200 (81.28)	130	71661-2130
	3.241 (82.33)	3.392 (86.15)	3.176 (80.67)	2.950 (74.93)	120	71661-2120
	2.741 (69.63)	2.892 (73.45)	2.676 (67.97)	2.450 (62.23)	100	71661-2100
	2.241 (56.93)	2.392 (60.75)	2.176 (55.27)	1.950 (49.53)	80	71661-2080
	1.941 (49.31)	2.092 (53.13)	1.875 (47.65)	1.650 (41.91)	68	71661-2068
	1.741 (44.23)	1.892 (48.05)	1.676 (42.57)	1.450 (36.83)	60	71661-2060
	1.491 (37.88)	1.642 (41.70)	1.426 (36.22)	1.200 (30.48)	50	71661-2050
A	1.241 (31.53)	1.392 (35.35)	1.176 (29.87)	.950 (24.13)	40	71661-2040
	.991 (25.18)	1.142 (29.00)	.925 (23.52)	.700 (17.78)	30	71661-2030

L	OBSCELTUBE PK UDT2001-1097 BSMART01/04/12
K	SEE SH 1

DIMENSIONS SHOWN (METRIC) INCH		▽ = 0 ▼ = 0		REVISE ONLY ON CAD SYSTEM	
UNLESS OTHERWISE SPECIFIED TOLERANCES ANGULAR ± 1/2°					
INCH		METRIC			
3 PLACE	± .010				
2 PLACE	±	± 0.25			
1 PLACE	±	±			
DRAWING WHERE APPLICABLE MUST REMAIN WITHIN DIMENSIONS					
DRAWN BY: RAN		CHK'D BY: RAN		SCALE: 4:1	
APP'D BY: CAB		FILE NAME: S71661XZ.S2		THIS DRAWING CONTAINS INFORMATION THAT IS PROPRIETARY TO MOLEX INC. AND SHOULD NOT BE USED WITHOUT WRITTEN PERMISSION.	
MFG. SH.		REV.		LTR.	
REVISIONS		MOLEX INCORPORATED		SHEET NO. DATE	
SEE TABLE		L1SLE.ILL. 60532		2 OF 2 2/23/93	
PART NO.		DRWG. NO.		SALES ASSEMBLY	
71661-2***		SDA-71661-2***		EBBI 50D RIGHT ANGLE	
DIV. C		SIZE C		PLUG CONNECTOR	